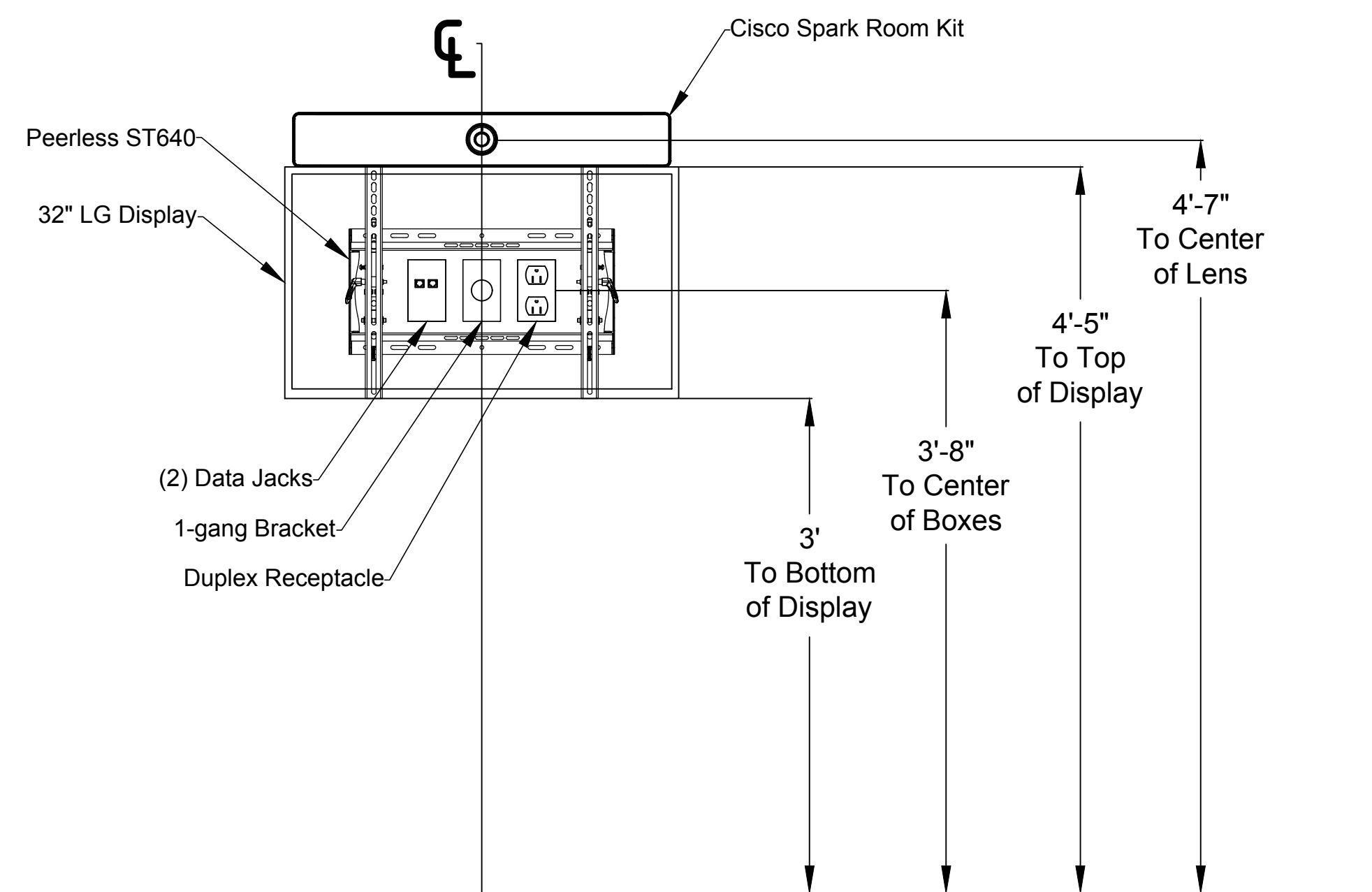


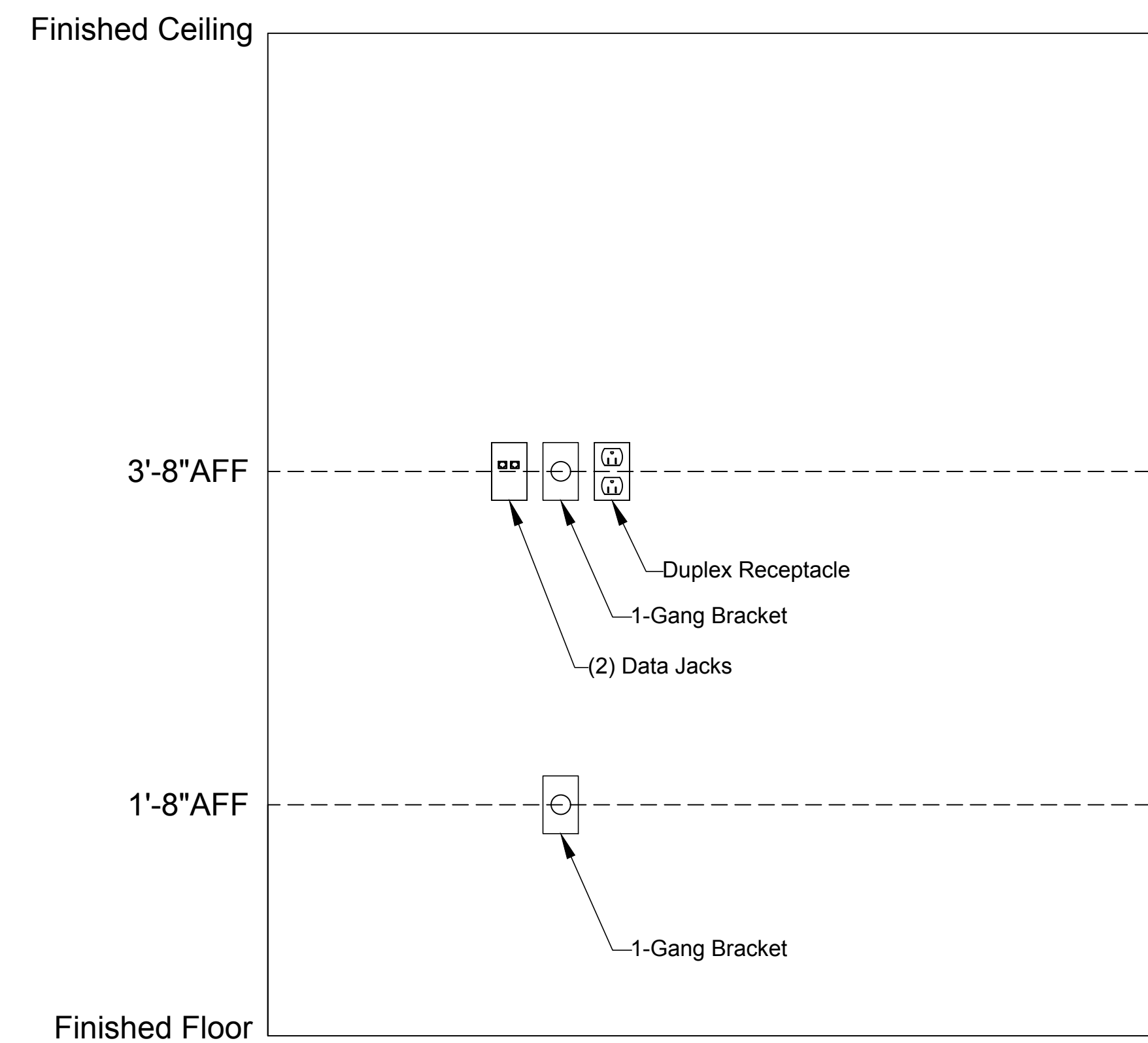
**Sheet Notes:**

- 1- All dimensions are given to the center of the respective junction box.
- 2- All dimensions given are Above Finished Floor (AFF)
- 3- All power and data requirements included in this drawing are provided specifically and exclusively for AV systems.
- 4- Drawings provided are typical of new construction details. Retrofit environments require boxes and pathways that are minimally compliant with the AHJ and could vary significantly in type, but not location from the provided details.
- 5- All trades are to follow local rules, codes, and regulations by the Authority Having Jurisdiction (AHJ).
- 5- 1-Gang Bracket to be typical of the Cooper B-Line BB10.



**1 32" Display Elevation Diagram**

- 1- CL is to be determined in the field by the customer defined Center line of the functional space in a room.
- 2- Wall must be of sufficient structural integrity to support all wall mounted equipment as defined by the AHJ.
- 3- All wall mounting hardware must be of sufficient quality and grade to safely support all wall mounted equipment.



**2 32" Display Riser Diagram**

- 1- When ceiling mounted equipment is required, a continuous pathway must be provided from the wall mounted equipment location (within 100' of total linear pathway), to an accessible ceiling location where the ceiling mounted equipment can be installed and accessed. In the event of a retrofit scenario, wall cavities are considered accessible as long as they are accessible at top of either side of the wall.
- 2- In the event no pathway exists or can be created at a reasonable cost, surface mounted raceway is to be used in accordance with the AHJ.

**Customer Information**

Spark Room Kit

**Job Completion Date**

Project Manager TBD

Lead Installer

Programmer

Drawn By JT

Approved By

Scale

**Drawing Description**

32" Display Elevation and Riser

Drawing Date Revision

8/29/2017

**Drawing Number**

**AV32A**